

## RF Termination Load

- ✓ Optional Power: 1W-10KW
- ✓ Optional frequency range: DC-50GHz
- ✓ Low standing wave coefficient
- ✓ Anti-pulse strong anti-burnout ability
- ✓ High reliability and good repeatability



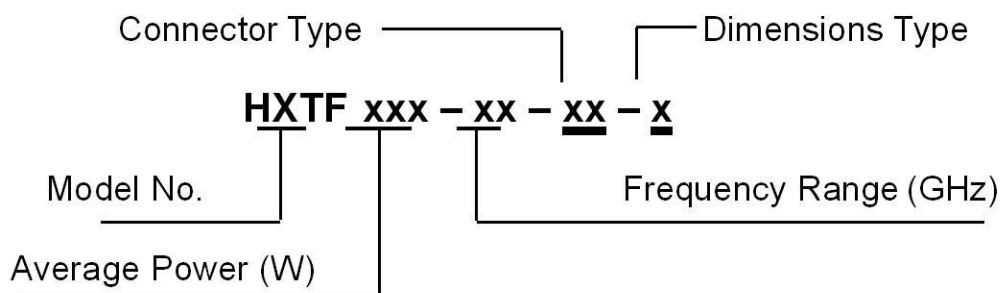
### Description

Coaxial fixed terminations absorb RF& microwave energy and are commonly used as dummy loads of antenna and transmitter. They are also used as match ports in many multi-port microwave device such as circulators and directional couplers to make these ports which are not involved in the measurement be terminated in their characteristic impedance in order to ensure an accurate measurement.

HXTF serial coaxial fixed termination feature wide frequency band, low VSWR, excellent capacity in anti-pulse and anti-burnout.

In this section, you can find the coaxial terminations with individual data sheets containing product description, specifications and outline drawings by a quick reference guide.

### Order Information



Please confirm with us the main parameters of terminations such as average power, frequency range, connector type and dimensions Type (if have any), or your special demand.

# 10W Termination Load

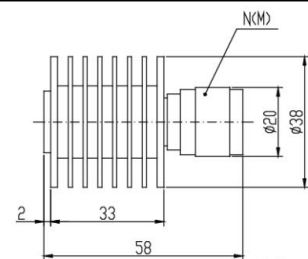
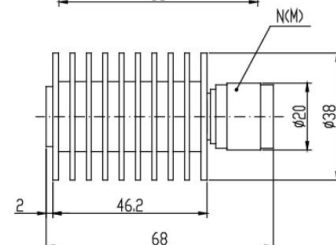
## Technology Manual

### 1. Design Features

- ◆ HXTF10G Series Termination Load Frequency DC-18GHz optional◆UWB operating frequency
- ◆ Low standing wave coefficient ◆ Good repeatability
- ◆ Strong anti-pulse ability

### 2. Description :

Model Number	Freq. Range	Average Power	Connector Type(Optional)	VSWR Max
HXTF10G-3-N	DC-3GHz	10W	N/SMA/TNC	1.15
HXTF10G-6-N	DC-6GHz			1.2
HXTF10G-12.4-N	DC-12.4GHz			1.35
HXTF10G-18-N	DC-18GHz			1.40
Impedance: 50 Ω				
Temperature Range: -55℃~+125℃				
★:Average power: 10W corresponds to an ambient temperature of 25℃, when the temperature rises to 125℃, the power decreases linearly to 1W				
★:Peak power: 1KW (5μs pulse width, 1% duty cycle)				
Mechanical behavior				
Connector shell	Nickel plated brass			
Cavity	Aluminum housing			
Size	<b>A: Φ38*58mm</b>		<b>B: Φ38*68mm</b>	
Weight	<b>A:86g</b>		<b>B:102g</b>	


**A**

**B**

**Remind:**

- 1,Outline Drawing: (Dimensions Unit: mm, Dimensions Tolerance: ±5%)
- 2,Shape A or B type customers can choose, if not specified, it will be random

# 10W Termination Load

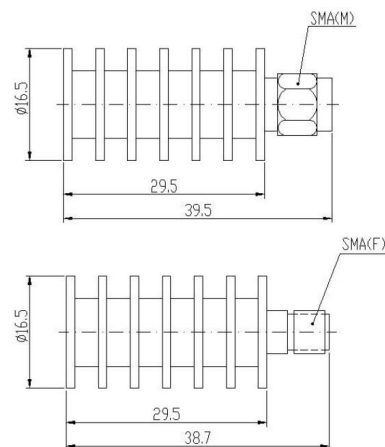
## Technology Manual

### 1. Design Features

- ◆ HXTF10 Series Termination Load Frequency DC-26.5GHz optional◆UWB operating frequency
- ◆ Low standing wave coefficient ◆ Good repeatability
- ◆ Strong anti-pulse ability

### 2. Description :

Model Number	Freq. Range	Average Power	Connector Type	VSWR Max
HXTF10-3-SMA	DC-3GHz	10W	SMA (M, F)	1.1
HXTF10-6-SMA	DC-6GHz			1.15
HXTF10-12.4-SMA	DC-12.4GHz			1.2
HXTF10-18-SMA	DC-18GHz			1.25
HXTF10-26.5-SMA	DC-26.5GHz			1.30
Impedance: 50 Ω				
Temperature Range: -55°C~+125°C				
★:Average power: 10W corresponds to an ambient temperature of 25°C, when the temperature rises to 125°C, the power decreases linearly to 1W				
★:Peak power: 0.5KW (5μs pulse width, 2% duty cycle)				
Mechanical behavior				
Connector shell	Nickel plated brass			
Cavity	Aluminum shell black paint			
Size	<b>M: φ 16.5*39.5mm</b> <b>F: φ 16.5*38.7mm</b>			
Weight	<b>10g</b>			



#### Remind:

1, Outline Drawing: (Dimensions Unit: mm, Dimensions Tolerance: ±5%)

# 10W Termination Load

## Technology Manual

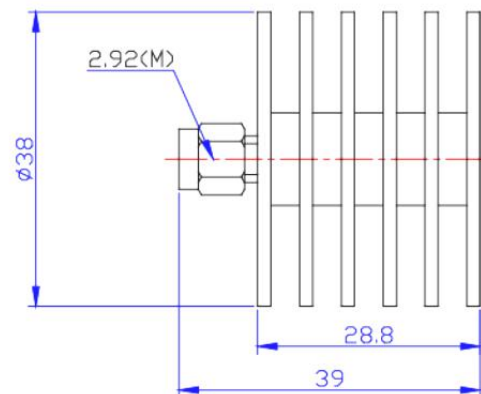
### 1. Design Features

- ◆ HXTF10 Series Termination Load Frequency DC-40GHz optional◆UWB operating frequency
- ◆ Low standing wave coefficient ◆ Good repeatability
- ◆ Strong anti-pulse ability

### 2. Description :

Model Number	Freq. Range	Average Power	Connector Type	Size	VSWR Max
HXTF10-26.5-2.92	DC-26.5GHz	10W	2.92mm(M.F)	M: $\phi$ 38*39mm F: $\phi$ 38*37.2mm	1.2
HXTF10-32-2.92	DC-32GHz				1.35
HXTF10-36-2.92	DC-36GHz				1.35
HXTF10-40-2.92	DC-40GHz				1.35
Impedance: 50 $\Omega$					
Temperature Range: -55°C~+125°C					
★:Average power: 10W corresponds to an ambient temperature of 25°C, when the temperature rises to 125°C, the power decreases linearly to 1W ★:Peak power: 0.2KW (5 $\mu$ s pulse width, 1% duty cycle)					
Mechanical behavior					
Connector shell	Nickel plated brass				
Cavity	Aluminum shell black paint				
Weight	20g				

### 3. Size:



#### Remind:

1, Outline Drawing: (Dimensions Unit: mm, Dimensions Tolerance:  $\pm$ 2%)