

RF Termination Load

- ✓ Optional Power: 1W-10KW
- ✓ Optional frequency range: DC-50GHz
- ✓ Low standing wave coefficient
- ✓ Anti-pulse strong anti-burnout ability
- ✓ High reliability and good repeatability



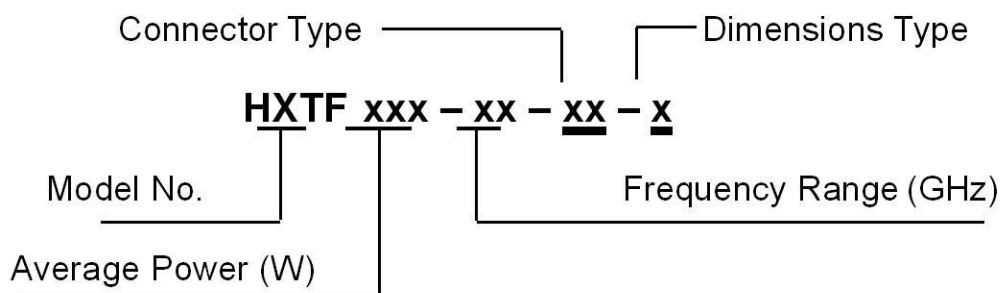
Description

Coaxial fixed terminations absorb RF& microwave energy and are commonly used as dummy loads of antenna and transmitter. They are also used as match ports in many multi-port microwave device such as circulators and directional couplers to make these ports which are not involved in the measurement be terminated in their characteristic impedance in order to ensure an accurate measurement.

HXTF serial coaxial fixed termination feature wide frequency band, low VSWR, excellent capacity in anti-pulse and anti-burnout.

In this section, you can find the coaxial terminations with individual data sheets containing product description, specifications and outline drawings by a quick reference guide.

Order Information



Please confirm with us the main parameters of terminations such as average power, frequency range, connector type and dimensions Type (if have any), or your special demand.

50W Termination Load

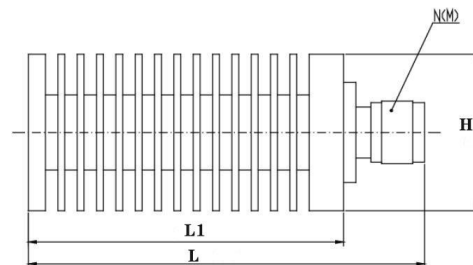
Technology Manual

1. Design Features

- ◆ HXTF50G Series Termination Load Frequency DC-18GHz optional◆UWB operating frequency
- ◆ Low standing wave coefficient ◆ Good repeatability
- ◆ Strong anti-pulse ability

2. Description :

Model Number	Freq. Range	Average Power	Connector Type(Optional)	VSWR Max	
HXTF50G-3-N	DC-3GHz	50W	N/SMA/TNC	1.15	
HXTF50G-6-N	DC-6GHz			1.15	
HXTF50G-8-N	DC-8GHz			1.25	
HXTF50G-10-N	DC-10GHz			1.35	
HXTF50G-12.4-N	DC-12.4GHz			1.30	
HXTF50G-18-N	DC-18GHz			1.40	
Impedance: 50 Ω					
Temperature Range: -55℃~+125℃					
★:Average power: 50W corresponds to an ambient temperature of 25℃, when the temperature rises to 125℃, the power decreases linearly to 5W					
★:Peak power: 1KW (5μs pulse width, 1% duty cycle)					
Mechanical behavior					
Connector shell	Nickel plated brass				
Cavity	Aluminum housing				
Size	Size	A Type	B Type	C Type	E Type
	L(mm)	124	124	71	127
	L1(mm)	99	99	46.2	110
	H(mm)	38	45	63	50
Weight	A:200g	B:390g		C: 290g	E:360g



Remind:

- 1,Outline Drawing: (Dimensions Unit: mm, Dimensions Tolerance: ±5%)
- 2,Shape A or B/C/E type customers can choose, if not specified, it will be random

50W Termination Load

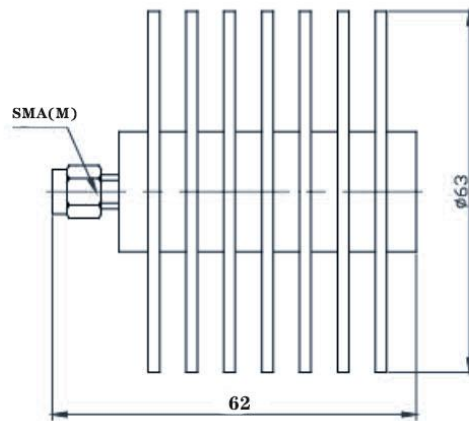
Technology Manual

1. Design Features

- ◆ HXTF50 Series Termination Load Frequency DC-26.5GHz optional◆UWB operating frequency
- ◆ Low standing wave coefficient ◆ Good repeatability
- ◆ Strong anti-pulse ability

2. Description :

Model Number	Freq. Range	Average Power	Connector Type	VSWR Max
HXTF50-26.5-SMA	DC-26.5GHz	50w	SMA (M, F)	1.30
Impedance: 50 Ω				
Temperature Range: -55℃~+125℃				
★:Average power: 50W corresponds to an ambient temperature of 25℃, when the temperature rises to 125℃, the power decreases linearly to 2W				
★:Peak power: 0.5KW (5μs pulse width, 2% duty cycle)				
Mechanical behavior				
Connector shell	Nickel plated brass			
Cavity	Aluminum shell black paint			
Size	M: φ 63*62mm F: φ 63*61mm			
Weight	130g			



Remind:

1, Outline Drawing: (Dimensions Unit: mm, Dimensions Tolerance: ±5%)

50W Termination Load

Technology Manual

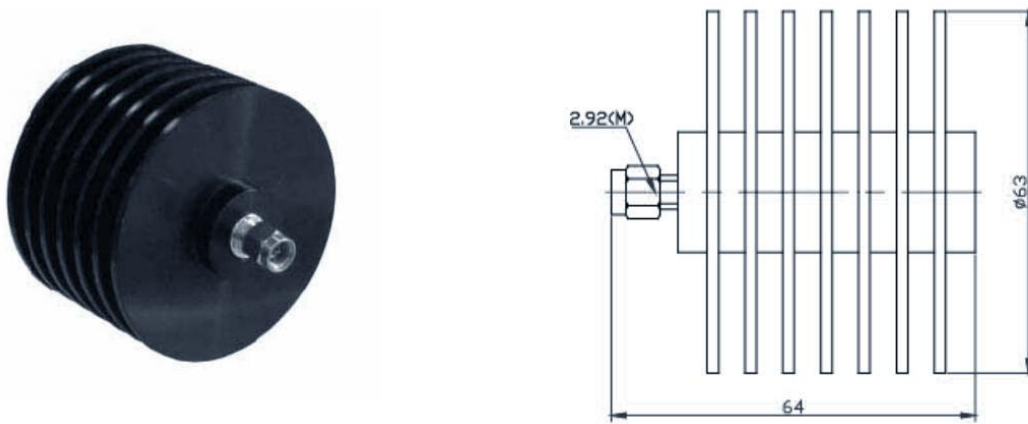
1. Design Features

- ◆ HXTF50 Series Termination Load Frequency DC-40GHz optional◆UWB operating frequency
- ◆ Low standing wave coefficient ◆ Good repeatability
- ◆ Strong anti-pulse ability

2. Description :

Model Number	Freq. Range	Average Power	Connector Type	Size	VSWR Max
HXTF50-18-2.92	DC-18GHz	20W	2.92mm (M. F)	Φ63*64mm	1.20
HXTF50-26.5-2.92	DC-26.5GHz				1.25
HXTF50-32-2.92	DC-32GHz				1.35
HXTF50-36-2.92	DC-36GHz				1.35
HXTF50-40-2.92	DC-40GHz				1.35
Impedance: 50 Ω					
Temperature Range: -55℃~+125℃					
★:Average power: 50W corresponds to an ambient temperature of 25℃, when the temperature rises to 125℃, the power decreases linearly to 2W					
★:Peak power: 0.2KW (5μs pulse width, 2% duty cycle)					
Mechanical behavior					
Connector shell	Nickel plated brass				
Cavity	Aluminum shell black paint				
Weight	165g				

3. Size



Remind:

1, Outline Drawing: (Dimensions Unit: mm, Dimensions Tolerance: ±2%)