

RF Termination Load

- ✓ Optional Power: 1W-10KW
- ✓ Optional frequency range: DC-50GHz
- ✓ Low standing wave coefficient
- ✓ Anti-pulse strong anti-burnout ability
- ✓ High reliability and good repeatability



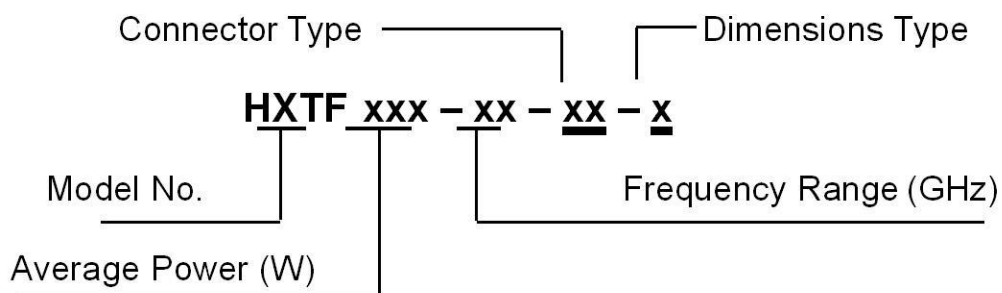
Description

Coaxial fixed terminations absorb RF& microwave energy and are commonly used as dummy loads of antenna and transmitter. They are also used as match ports in many multi-port microwave device such as circulators and directional couplers to make these ports which are not involved in the measurement be terminated in their characteristic impedance in order to ensure an accurate measurement.

HXTF serial coaxial fixed termination feature wide frequency band, low VSWR, excellent capacity in anti-pulse and anti-burnout.

In this section, you can find the coaxial terminations with individual data sheets containing product description, specifications and outline drawings by a quick reference guide.

Order Information



Please confirm with us the main parameters of terminations such as average power, frequency range, connector type and dimensions Type (if have any), or your special demand.

Termination Load 同轴负载

Technology Manual 技术说明书

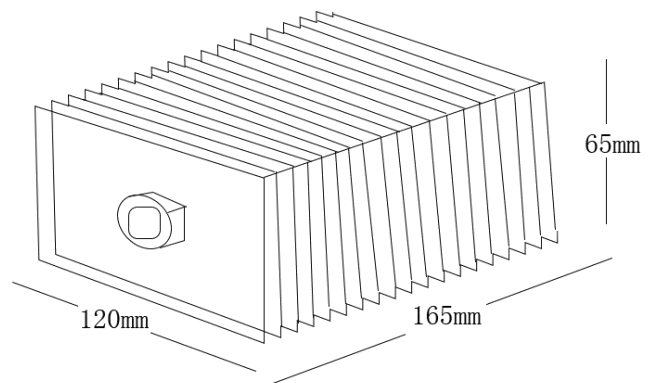
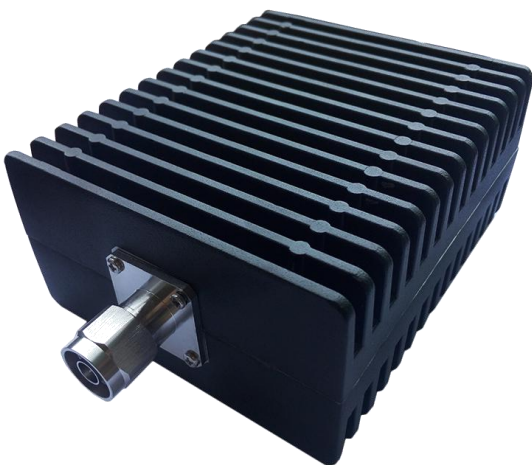
1. **Model 型号** : HXTF100-X(X: is the Frequency)-A

2. **Product Name 产品名称** : RF Termination Load 同轴负载

3. **Description 技术指标** :

Model 型号	HXTF100-3-A	HXTF100-4-A
Frequency 工作频率	DC~3GHz	DC~4GHz
VSWR 驻波比	≤1.2	≤1.25
Connector 连接方式	N,DIN (Optional)	
Power 功率容量	100W	
Impedance 特征阻抗	50Ω	
Temperature Range 工作温度	-55°C ~ +125°C	

4. **Picture** :



1, Tolerance : ±5%

2, Connector N or DIN can be selected, if not specified, it will default to N-Male

Termination Load 同轴负载

Technology Manual 技术说明书

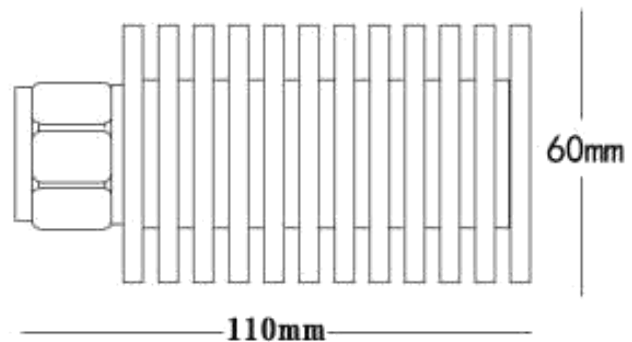
1. **Model 型号** : HXTF100-X(X: is the Frequency)-B

2. **Product Name 产品名称** : RF Termination Load 同轴负载

3. **Description 技术指标** :

Model 型号	HXTF100-3-B	HXTF100-4-B
Frequency 工作频率	DC~3GHz	DC~4GHz
VSWR 驻波比	≤1.2	≤1.25
Connector 连接方式	N,DIN (Optional)	
Power 功率容量	100W	
Impedance 特征阻抗	50Ω	
Temperature Range 工作温度	-55°C ~ +125°C	

4. **Picture** :



1, Tolerance : ±5%

2, Connector N or DIN can be selected, if not specified, it will default to N-Male