

RF Termination Load

- ✓ Optional Power: 1W-10KW
- ✓ Optional frequency range: DC-50GHz
- ✓ Low standing wave coefficient
- ✓ Anti-pulse strong anti-burnout ability
- ✓ High reliability and good repeatability



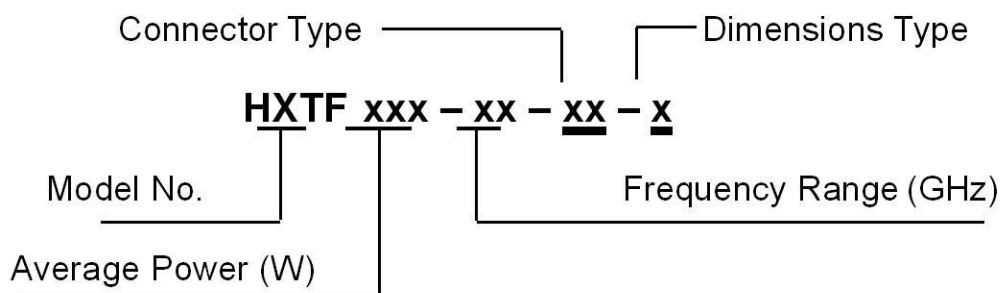
Description

Coaxial fixed terminations absorb RF& microwave energy and are commonly used as dummy loads of antenna and transmitter. They are also used as match ports in many multi-port microwave device such as circulators and directional couplers to make these ports which are not involved in the measurement be terminated in their characteristic impedance in order to ensure an accurate measurement.

HXTF serial coaxial fixed termination feature wide frequency band, low VSWR, excellent capacity in anti-pulse and anti-burnout.

In this section, you can find the coaxial terminations with individual data sheets containing product description, specifications and outline drawings by a quick reference guide.

Order Information



Please confirm with us the main parameters of terminations such as average power, frequency range, connector type and dimensions Type (if have any), or your special demand.

2000W Termination Load

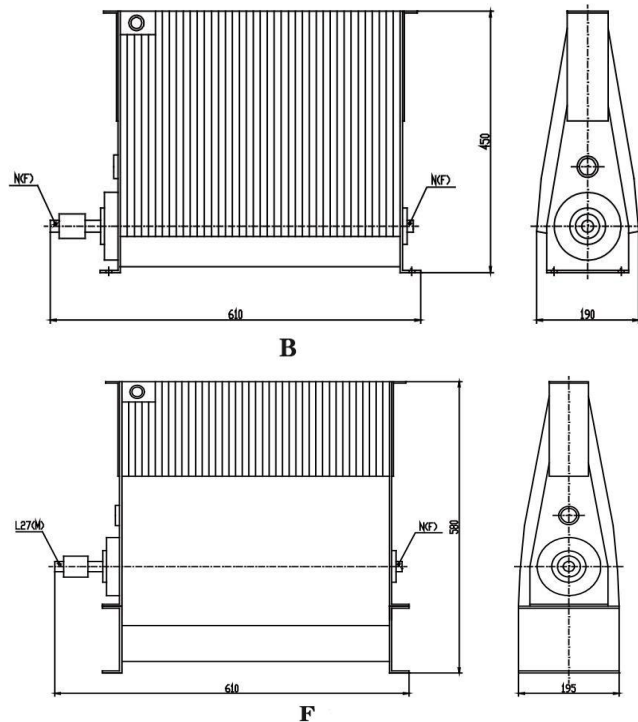
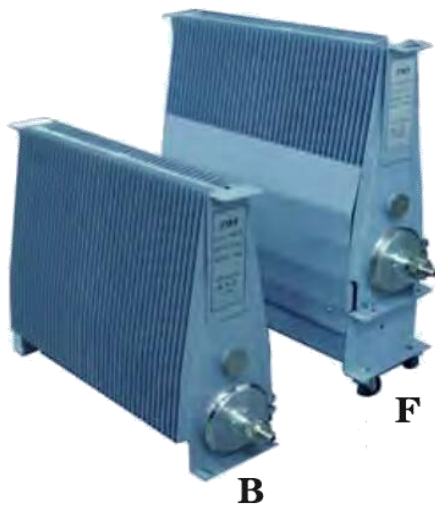
Technology Manual

1. Design Features

- ◆ HXTF2000 Series Termination Load Frequency DC-2GHz optional◆UWB operating frequency
- ◆ Low standing wave coefficient ◆ Good repeatability
- ◆ Strong anti-pulse ability

2. Description :

Model Number	Freq. Range	Average Power	Connector Type	VSWR Max
HXTF2000-2-X	DC-2GHz	2000W	N, 7/16, L27	1.3
Impedance: 50 Ω				
Temperature Range: -40℃~+45℃				
★:X: Represents appearance (B,F) F: Means equipped with a fan				
★:Peak power: 50KW (5μs pulse width, 2% duty cycle)				
★:Cooling Method:Oil-Cooled+Forced Draft				
Mechanical behavior				
Connector shell	Nickel plated brass			
Cavity	Aluminum shell sprayed with gray paint			
Size	B:610*190*450mm		F:610*195*580mm	
Weight	27Kg		30Kg	



Remind:

1,Outline Drawing: (Dimensions Unit: mm, Dimensions Tolerance: ±10%)

2000W Termination Load

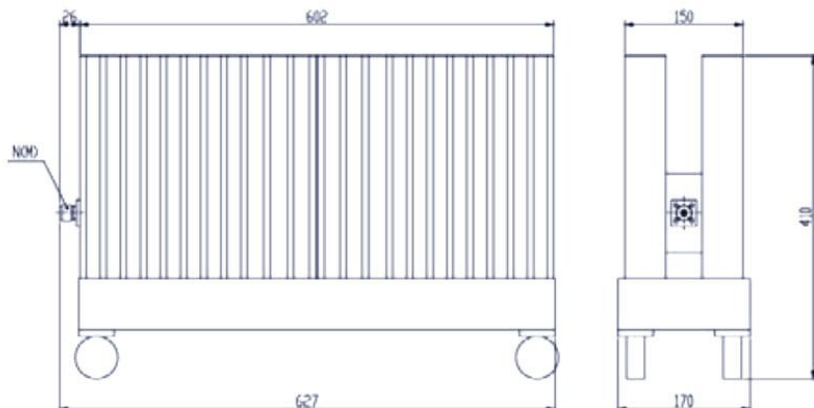
Technology Manual

1. Design Features

- ◆ HXGTF2000 Series Termination Load Frequency DC-4GHz optional◆UWB operating frequency
- ◆ Low standing wave coefficient ◆ Good repeatability
- ◆ Strong anti-pulse ability

2. Description :

Model Number	Freq. Range	Average Power	Connector Type	VSWR Max
HXGTF2000-1G	DC-1GHz	2000W	N, 7/16 (M or F)	1.2
HXGTF2000-2G	DC-2GHz			1.25
HXGTF2000-3G	DC-3GHz			1.40
HXGTF2000-4G	DC-4GHz			1.75
Impedance: 50 Ω				
Temperature Range: -55°C~+125°C				
★:Average power: 2000W corresponds to an ambient temperature of 25°C, when the temperature rises to 125°C, the power decreases linearly to 200W				
★:Peak power: 10KW (5μs pulse width, 20% duty cycle)				
★:Cooling Method:Forced Draft				
Mechanical behavior				
Connector shell	Nickel plated brass			
Cavity	Aluminum shell black paint			
Size	627*170*410mm			
Weight	34Kg			



Remind:

1,Outline Drawing: (Dimensions Unit: mm, Dimensions Tolerance: ±5%)