

RF Coaxial Attenuator

- ✓ Optional Power: 0.5W-10KW
- ✓ Optional frequency range: DC-40GHz
- ✓ Flatness Attenuation Value and Accuracy
- ✓ Anti-pulse strong anti-burnout ability
- ✓ High reliability and good repeatability



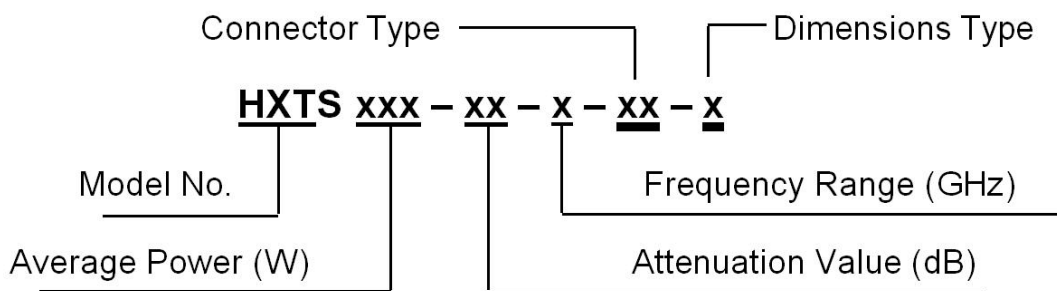
Description

Coaxial fixed attenuators are used in absorbing energy of transmission line, expanding power range and controlling power level, they are also used in accurately measuring power or spectrum of RF microwave transmitters accompany with small power meter, comprehensive tester or spectrum analyzer.

HXTS serial coaxial fixed attenuators feature wide frequency band, low VSWR, flatness attenuation value, excellent capacity in anti-pulse and anti-burnout etc.

In this section, you can find the coaxial attenuators with individual data sheets containing product description, specifications and outline drawings by a quick reference guide.

Order Information



Please confirm with us the main parameters of attenuators such as average power, attenuation value, frequency range, connector type and dimensions Type (if have any), or your special demand.

2W Coaxial Attenuator

Technology Manual

1. Design Features

- ◆ HXTS2 series attenuator frequency DC-40GHz optional◆UWB operating frequency
- ◆ Low standing wave coefficient ◆ High attenuation value accuracy
- ◆ Strong anti-pulse ability

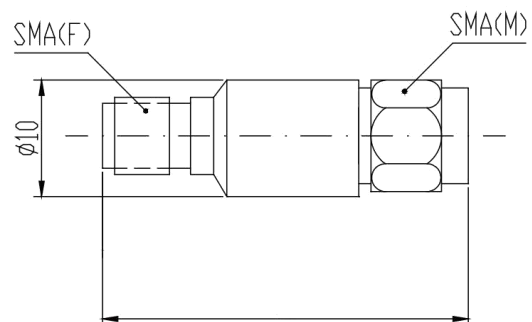
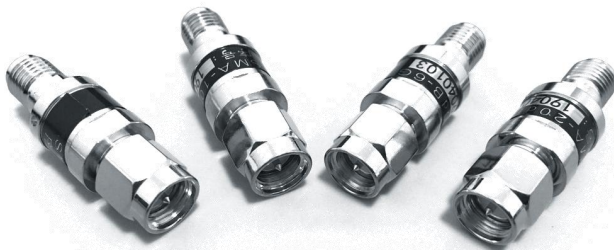
2. Description :

Model Number	Freq. Range	Attenuation Value/Tolerance						VSWR Max
		1-9dB	10dB	20dB	30dB	40dB	50dB	
HXTS2-XX-6-SMA	DC-6GHz	±0.3	±0.2	±0.2	±0.5	±0.3	±0.5	1.15
HXTS2-XX-8-SMA	DC-8GHz	±0.5	±0.3	±0.3	±0.3	±0.5	±0.5	1.2
HXTS2-XX-12.4-SMA	DC-12.4GHz	±0.5	±0.4	±0.4	±0.4	±0.7	±0.7	1.25
HXTS2-XX-18-SMA	DC-18GHz	±0.5	±0.5	±0.5	±0.5	±1	±1	1.3
HXTS2-XX-26.5-SMA	DC-26.5GHz	±1	±1	±1	±1	±1	±1	1.35
Connector Type: SMA (F.M)								
Impedance: 50Ω								
Temperature Range: -55℃~+125℃								
★:XX:indicates the attenuation value								
★:Average power: 2W corresponds to an ambient temperature of 25℃, when the temperature rises to 125℃, the power decreases linearly to 0.5W								
★:Peak power: 0.5KW (5μs pulse width, 0.4% duty cycle)								

3. size:

The shape size can be selected (A B C) If not specified, it will be produced randomly

A: φ10*30mm	B: φ10*37.2mm	C: φ10*24.2mm	
--------------------	----------------------	----------------------	--



Remind:

1,Outline Drawing: (Dimensions Unit: mm, Dimensions Tolerance: ±5%)

2W Coaxial Attenuator

Technology Manual

1. Design Features

- ◆ HXTS2 series attenuator frequency DC-40GHz optional ◆ UWB operating frequency
- ◆ Low standing wave coefficient ◆ High attenuation value accuracy
- ◆ Strong anti-pulse ability

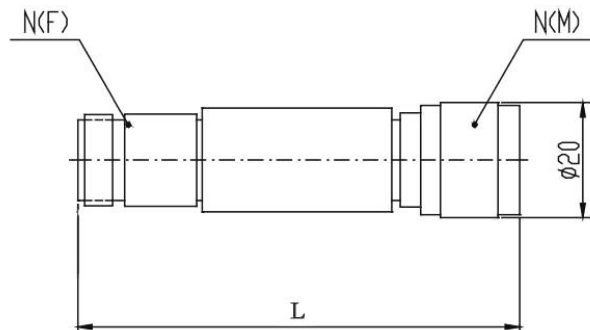
2. Description :

Model Number	Freq. Range	Attenuation Value/Tolerance						VSWR Max
		1-9dB	10dB	20dB	30dB	40dB	50dB	
HXTS2-XX-6-X	DC-6GHz	±0.5	±0.4	±0.4	±0.5	±0.6	±0.6	1.2
HXTS2-XX-8-X	DC-8GHz	±0.5	±0.4	±0.4	±0.5	±0.6	±0.6	1.2
HXTS2-XX-12.4-X	DC-12.4GHz	±0.7	±0.7	±0.7	±0.7	±0.8	±0.8	1.25
HXTS2-XX-18-X	DC-18GHz	±1.2	±1.0	±1.2	±1.2	±1.2	±1.2	1.3
Connector Type: N, TNC (F. M)								
Impedance: 50Ω								
Temperature Range: -55℃~+125℃								
★:XX:indicates the attenuation value X: indicates connector N or TNC								
★:Average power: 2W corresponds to an ambient temperature of 25℃, when the temperature rises to 125℃, the power decreases linearly to 0.5W								
★:Peak power: 0.5KW (5μs pulse width, 0.2% duty cycle)								

3. size:

The shape size can be selected (A B C) if not specified, it will be produced randomly

A: φ20*L=77mm	B: φ20*L=60mm	C: φ20*L=63.5mm
---------------	---------------	-----------------



Remind:

- 1, Outline Drawing: (Dimensions Unit: mm, Dimensions Tolerance: ±5%)
- 2, Unless otherwise specified, the dimensions and technical indicators correspond to the N-type connector

2W Coaxial Attenuator

Technology Manual

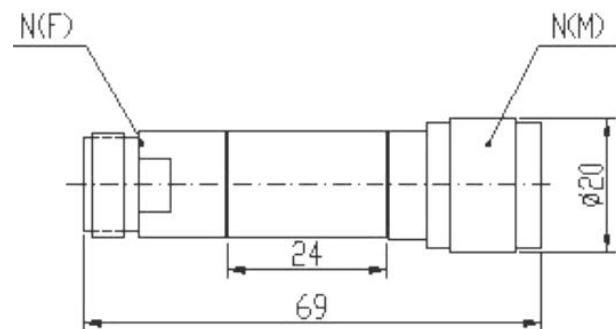
1. Design Features

- ◆ HXTS2 series attenuator frequency DC-40GHz optional ◆ UWB operating frequency
- ◆ Low standing wave coefficient ◆ High attenuation value accuracy
- ◆ Strong anti-pulse ability

2. Description :

Model Number	Freq. Range	Attenuation Value/Tolerance						VSWR Max
		40dB	50dB	60dB	70dB	80dB	90dB	
HXTS2GH-XX-4-X	DC-4GHz	±0.75	±0.75	±0.75	±1.0	±1.0	±1.5	1.2
HXTS2GH-XX-8-X	DC-8GHz	±0.75	±0.75	±0.8	±1.0	±1.0	±1.5	1.25
HXTS2GH-XX-12.4-X	DC-12.4GHz	±1.25	±1.25	±1.0	±1.2	±1.2	±2.0	1.3
HXTS2GH-XX-18-X	DC-18GHz	±1.5	±1.5	±1.5	±1.5	±2.0	±2.5	1.35
Average Power: 2W								
Connector Type: N, TNC (F.M)								
Impedance: 50 Ω								
Temperature Range: -55°C ~ +125°C								
★:XX:indicates the attenuation value X: indicates connector N or TNC ★:Average power: 2W corresponds to an ambient temperature of 25°C, when the temperature rises to 125°C, the power decreases linearly to 0.5W ★:Peak power: 0.5KW (5μs pulse width, 0.2% duty cycle)								

3. size:



Remind:

- 1, Outline Drawing: (Dimensions Unit: mm, Dimensions Tolerance: ±5%)
- 2, Unless otherwise specified, the dimensions and technical indicators correspond to the N-type connector

2W Coaxial Attenuator

Technology Manual

1. Design Features

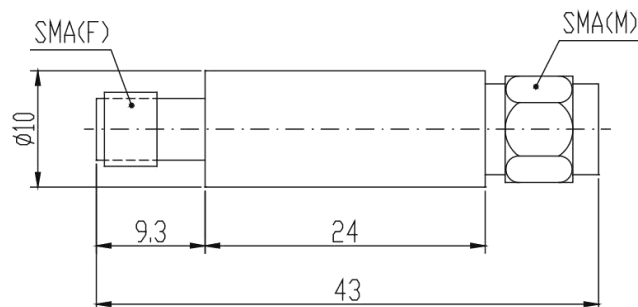
- ◆ HXTS2 series attenuator frequency DC-40GHz optional◆UWB operating frequency
- ◆ Low standing wave coefficient ◆ High attenuation value accuracy
- ◆ Strong anti-pulse ability

2. Description :

Model Number	Freq. Range	Attenuation Value/Tolerance						VSWR Max
		40dB	50dB	60dB	70dB	80dB	90dB	
HXTS2-XX-4-GH	DC-4GHz	±0.5	±0.5	±0.8	±1.0	±1.0	±1.5	1.15
HXTS2-XX-8-GH	DC-8GHz	±0.5	±0.6	±1.0	±1.0	±1.0	±1.5	1.2
HXTS2-XX-12.4-GH	DC-12.4GHz	±0.7	±0.8	±1.0	±1.2	±1.2	±2.0	1.25
HXTS2-XX-18-GH	DC-18GHz	±1.0	±1.5	±1.5	±1.5	±1.5	±2.0	1.35
HXTS2-XX-26.5-GH	DC-26.5GHz	±1.5	±2.0	±2.0	±2.0	/	/	1.4
Connector Type: SMA (M, F)								
Impedance: 50 Ω								
Temperature Range: -55℃~+125℃								
★:XX:indicates the attenuation value								
★:Average power: 2W corresponds to an ambient temperature of 25℃, when the temperature rises to 125℃, the power decreases linearly to 0.5W								
★:Peak power: 0.5KW (5μs pulse width, 0.2% duty cycle)								

3. size:

φ10*43mm



Remind:

1, Outline Drawing: (Dimensions Unit: mm, Dimensions Tolerance: ±5%)

2W Coaxial Attenuator

Technology Manual

1. Design Features

- ◆ HXTS2 series attenuator frequency DC-40GHz optional ◆ UWB operating frequency
- ◆ Low standing wave coefficient ◆ High attenuation value accuracy
- ◆ Strong anti-pulse ability

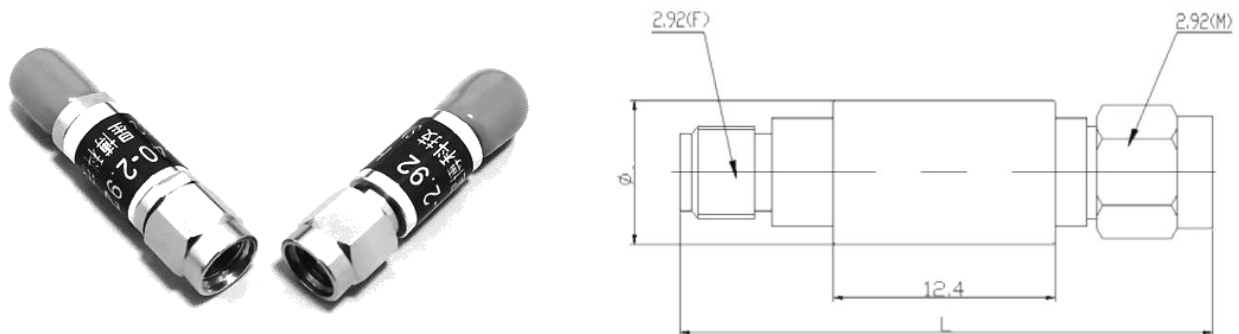
2. Description :

Model Number	Freq. Range	Attenuation Value/Tolerance						VSWR Max
		1-9dB	10-19dB	20dB	30dB	40dB	/	
HXTS2-XX-26.5-2.92	DC-26.5GHz	±0.8	±0.8	±0.8	±1.0	±1.0	/	1.25
HXTS2-XX-32-2.92	DC-32GHz	±0.8	±0.8	±1.0	±1.0	±1.5	/	1.3
HXTS2-XX-40-2.92	DC-40GHz	±1.0	±1.0	±1.5	±1.5	±2.0	/	1.4
Connector Type: 2.92 (F.M)								
Impedance: 50 Ω								
Temperature Range: -55°C ~ +125°C								
★:XX:indicates the attenuation value								
★:Average power: 2W corresponds to an ambient temperature of 25°C, when the temperature rises to 125°C, the power decreases linearly to 0.5W								
★:Peak power: 0.2KW (5μs pulse width, 0.5% duty cycle)								

3. size:

Different attenuation values, different dimensions

≤20dB: φ 10*L=31.4mm	30dB: φ 10*L=33mm	40DB: φ 10*L=47.6mm
----------------------	-------------------	---------------------



Remind:

1, Outline Drawing: (Dimensions Unit: mm, Dimensions Tolerance: ±5%)

2W Coaxial Attenuator

Technology Manual

1. Design Features

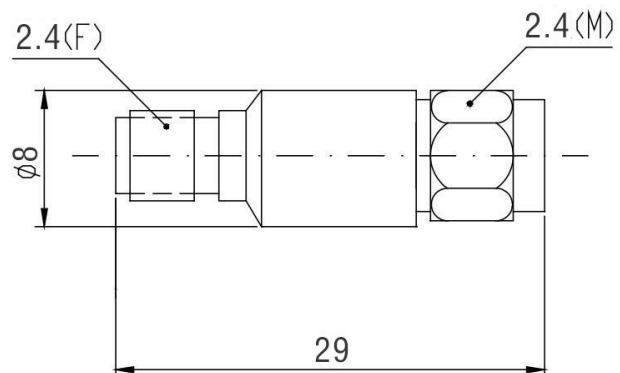
- ◆ HXTS2 series attenuator frequency DC-50GHz optional◆UWB operating frequency
- ◆ Low standing wave coefficient ◆ High attenuation value accuracy
- ◆ Strong anti-pulse ability

2. Description :

Model Number	Freq. Range	Attenuation Value/Tolerance				VSWR Max
		1-9dB	10dB	20dB	30dB	
HXTS2-XX-42-2.4	DC-42GHz	±1.0	±1.5	±1.5	±1.5	1.45
HXTS2-XX-45-2.4	DC-45GHz	±1.0	±1.5	±1.5	±1.5	1.45
HXTS2-XX-50-2.4	DC-50GHz	±1.0	±1.5	±1.5	±1.5	1.45
Connector Type: 2.4mm (F.M)						
Impedance: 50 Ω						
Temperature Range: -55°C ~ +125°C						
<p>★:XX:indicates the attenuation value</p> <p>★:Average power: 2W corresponds to an ambient temperature of 25°C, when the temperature rises to 125°C, the power decreases linearly to 0.5W</p> <p>★:Peak power: 0.5KW (5μs pulse width, 0.5% duty cycle)</p>						

3. size:

$\phi 8 * 29\text{mm}$



Remind:

1, Outline Drawing: (Dimensions Unit: mm, Dimensions Tolerance: ±5%)

1W Coaxial Attenuator

Technology Manual

1. Design Features

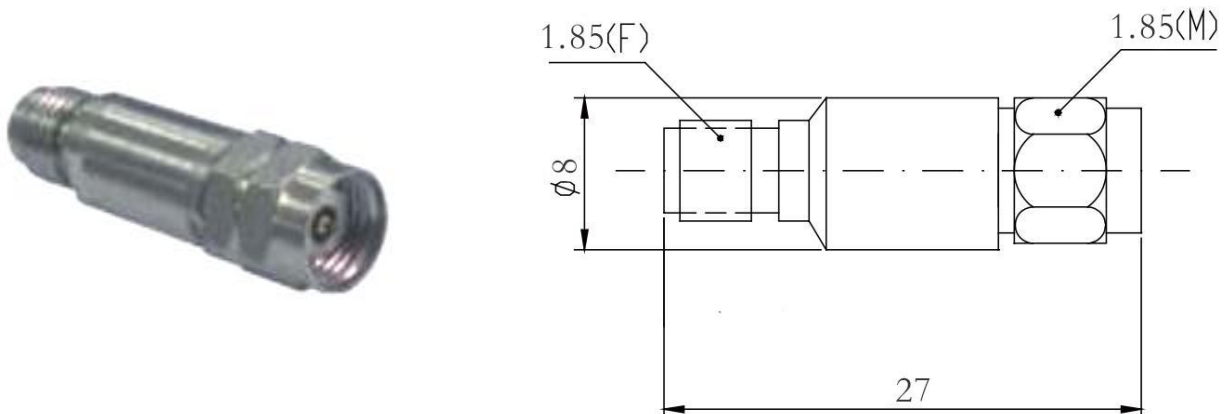
- ◆ HXTS2 series attenuator frequency DC-67GHz optional◆UWB operating frequency
- ◆ Low standing wave coefficient ◆ High attenuation value accuracy
- ◆ Strong anti-pulse ability

2. Description :

Model Number	Freq. Range	Attenuation Value/Tolerance				VSWR Max
		3dB	6dB	10dB	20dB	
HXTS1-XX-67-1.85	DC-26.5GHz	-1/ + 1.5	-1/ + 1.5	-1/ + 1.5	-1/ + 2	1.35
	26.5-50GHz	-1/ + 1.5	-1/ + 1.5	-1/ + 1.5	-1/ + 2	1.55
	50-67GHz	-1/ + 1.5	-1/ + 1.5	-1/ + 1.5	-1/ + 2	1.65
Connector Type: 1.85mm(F. M)						
Impedance: 50 Ω						
Temperature Range: -55°C~+125°C						
★:XX:indicates the attenuation value						
★:Average power: 1W corresponds to an ambient temperature of 25°C, when the temperature rises to 125°C, the power decreases linearly to 0.5W						
★:Peak power: 0.2KW (5μs pulse width, 0.5% duty cycle)						

3. size:

φ8*27mm



Remind:

1,Outline Drawing: (Dimensions Unit: mm, Dimensions Tolerance: ±5%)