

1500W Coaxial Attenuator

Technology Manual

1. Design Features

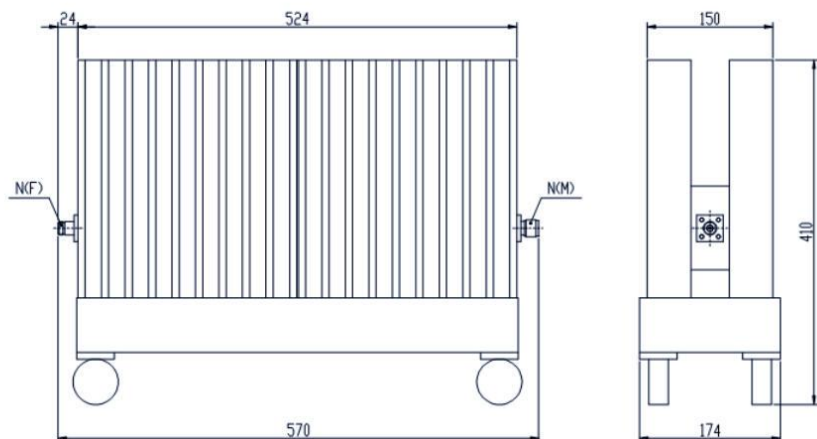
- ◆ HXTS1500 series attenuator Frequency DC-3GHz optional◆UWB operating frequency
- ◆ Low standing wave coefficient ◆ High attenuation value accuracy
- ◆ Strong anti-pulse ability

2. Description :

Model Number	Freq. Range	Attenuation Value/Tolerance					VSWR Max
		20dB	30dB	40dB	50dB	/	
HXTS1500-XX-3G	DC-3GHz	/	/	±2.0	±2.0	/	1.40
Average Power: 1500W							
Connector Type: N, 7/16(M.F)							
Impedance: 50 Ω							
Temperature Range: -55°C~+125°C							
★:XX:indicates the attenuation value				★:Cooling method: Air cooling			
★:Average power: 1500W corresponds to an ambient temperature of 25°C, when the temperature rises to 125°C, the power decreases linearly to 150W							
★:Peak power: 5KW (5μs pulse width, 5% duty cycle)							

3. size:

Size:570*174*410mm	Weight:32Kg
--------------------	-------------



Unless otherwise specified, the dimensions and technical indicators correspond to the N-type connector

Remind:Outline Drawing: (Dimensions Unit: mm, Dimensions Tolerance: ± 2%)