

RF Coaxial Attenuator

- ✓ Optional Power: 0.5W-10KW
- ✓ Optional frequency range: DC-40GHz
- ✓ Flatness Attenuation Value and Accuracy
- ✓ Anti-pulse strong anti-burnout ability
- ✓ High reliability and good repeatability



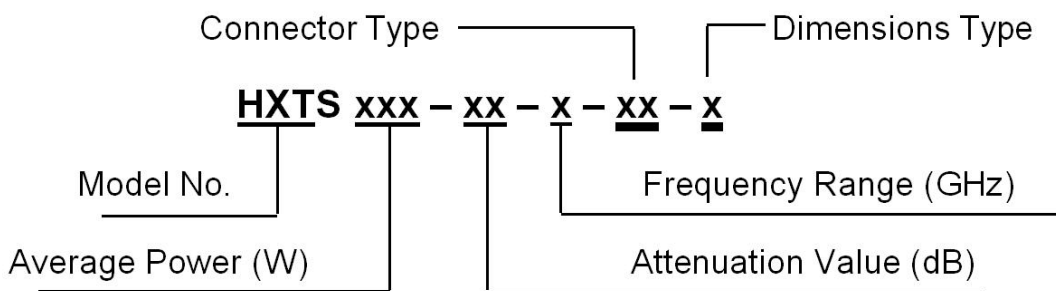
Description

Coaxial fixed attenuators are used in absorbing energy of transmission line, expanding power range and controlling power level, they are also used in accurately measuring power or spectrum of RF microwave transmitters accompany with small power meter, comprehensive tester or spectrum analyzer.

HXTS serial coaxial fixed attenuators feature wide frequency band, low VSWR, flatness attenuation value, excellent capacity in anti-pulse and anti-burnout etc.

In this section, you can find the coaxial attenuators with individual data sheets containing product description, specifications and outline drawings by a quick reference guide.

Order Information



Please confirm with us the main parameters of attenuators such as average power, attenuation value, frequency range, connector type and dimensions Type (if have any), or your special demand.

2000W Coaxial Attenuator

Technology Manual

1. Design Features

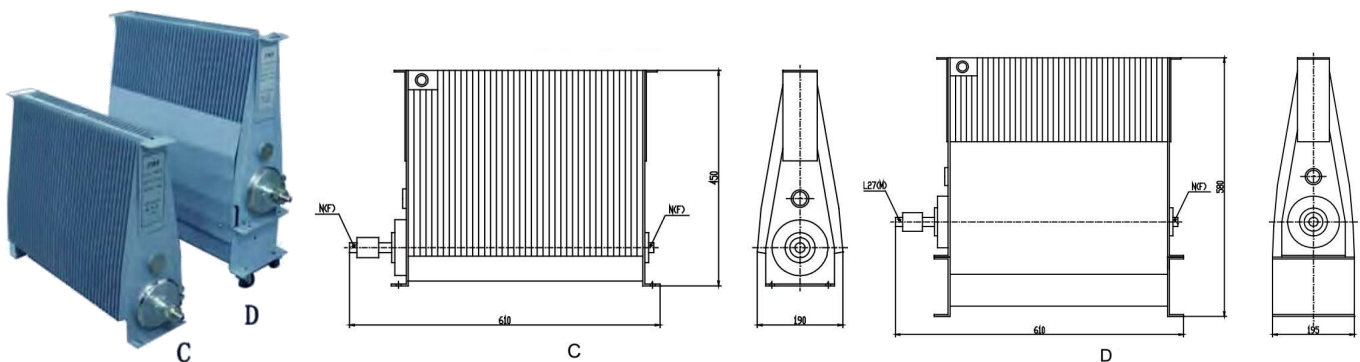
- ◆ HXDTS2000 series attenuator Frequency DC-2GHz optional◆UWB operating frequency
- ◆ Low standing wave coefficient ◆ High attenuation value accuracy
- ◆ Strong anti-pulse ability

2. Description :

Model Number	Freq. Range	Attenuation Value/Tolerance					VSWR Max
		20dB	30dB	40dB	50dB	/	
HXDTS2000-XX-2-X	DC-0.7GHz	/	±1.0	±1.0	±1.0	/	1.2
	0.7-2GHz	Attenuation Curve Available					1.3
Average Power: 2000W							
Connector Type: N or 7/16(F)							
Impedance: 50 Ω							
Temperature Range: -40°C~+45°C							
★:XX:indicates the attenuation value ★ X: Represents appearance (C,D) D: Means equipped with a fan ★:The Nominal Attenuation Is 30dB, And Other Attenuations Are Composed OF 30dB + Low-power Attenuators. ★:Peak power: 50KW (1ms) ★:Cooling Method:Oil-Cooled+Forced Draft ★:Operating Position:Horizontal only							

3. size:

The shape can be selected (C/D) If not specified, the default C type (Type C is not equipped with a fan)	
C: 610*190*450mm (27kg)	D: 610*195*580mm (30kg)



Unless otherwise specified, the dimensions and technical indicators correspond to the N-type connector

Remind:Outline Drawing: (Dimensions Unit: mm, Dimensions Tolerance: ±5%)

2000W Coaxial Attenuator

Technology Manual

1. Design Features

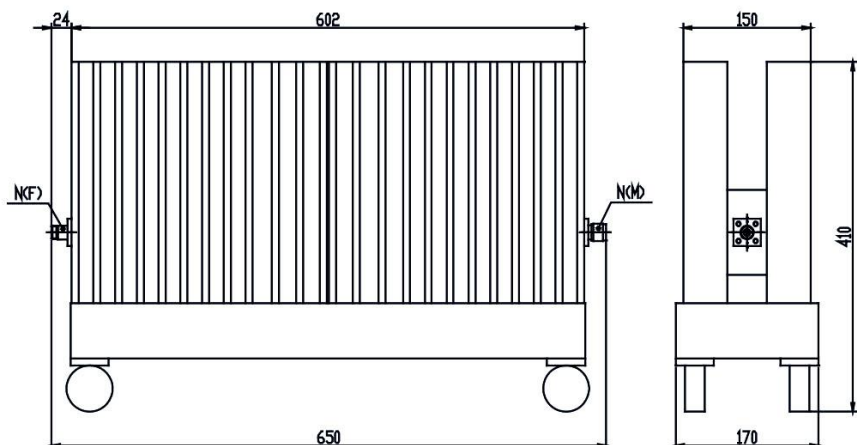
- ◆ HXTS2000 series attenuator Frequency DC-3GHz optional◆UWB operating frequency
- ◆ Low standing wave coefficient ◆ High attenuation value accuracy
- ◆ Strong anti-pulse ability

2. Description :

Model Number	Freq. Range	Attenuation Value/Tolerance					VSWR Max
		20dB	30dB	40dB	50dB	/	
HXTS2000-XX-3G	DC-3GHz	/	/	±2.0	±2.0	/	1.40
Average Power: 2000W							
Connector Type: N, 7/16(M.F)							
Impedance: 50 Ω							
Temperature Range: -55°C~+125°C							
★:XX:indicates the attenuation value ★:Cooling method: Air cooling ★:Average power: 2000W corresponds to an ambient temperature of 25°C, when the temperature rises to 125°C, the power decreases linearly to 200W ★:Peak power: 10KW (5μs pulse width, 5% duty cycle)							

3. size:

Size:650*170*410mm	Weight:34Kg
--------------------	-------------



Unless otherwise specified, the dimensions and technical indicators correspond to the N-type connector

Remind:Outline Drawing: (Dimensions Unit: mm, Dimensions Tolerance: ±5%)