

# 4000W Coaxial Attenuator

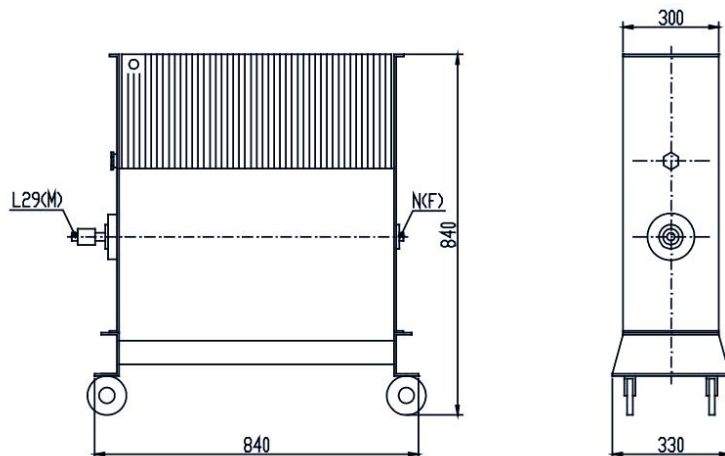
## Technology Manual

### 1. Design Features

- ◆ HXDTS4000 series attenuator Frequency DC-1GHz optional◆UWB operating frequency
- ◆ Low standing wave coefficient ◆ High attenuation value accuracy
- ◆ Strong anti-pulse ability

### 2. Description :

Model Number	Freq. Range	Attenuation Value/Tolerance					VSWR Max
		20dB	30dB	40dB	50dB	/	
HXDTS4000-XX-1	DC-0.5GHz	/	±1.0	±1.0	±1.0	/	1.25
	0.5-1GHz	Attenuation Curve Available					1.4
Average Power: 4000W							
Connector Type: N, 7/16, L29 (M.F)							
Impedance: 50 Ω							
Temperature Range: -40℃~+45℃							
★:XX:indicates the attenuation value							
★:The Nominal Attenuation Is 30dB, And Other Attenuations Are Composed OF 30dB + Low-power Attenuators.							
★:Peak power: 100KW (10us) ★:Cooling Method:Oil-Cooled+Forced Draft ★:Operating Position:Horizontal only							
<b>3. size:</b>							
Size:840*330*840mm				Weight:100Kg			



Unless otherwise specified, the dimensions and technical indicators correspond to the N-type connector

**Remind:**Outline Drawing: (Dimensions Unit: mm, Dimensions Tolerance: ± 5%)