

# 10000W Coaxial Attenuator

## Technology Manual

### 1. Design Features

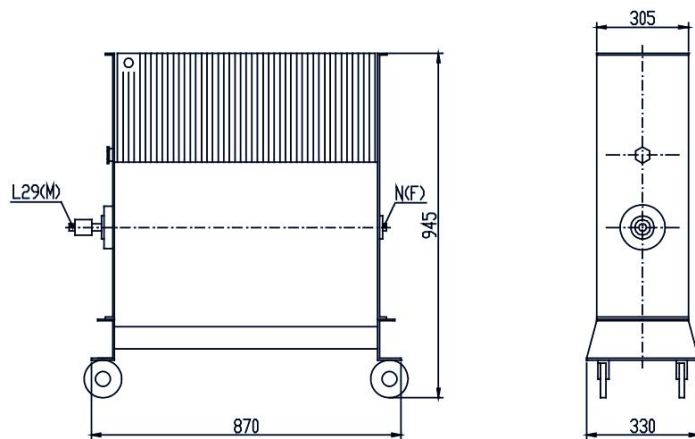
- ◆ HXDTS10000 series attenuator Frequency DC-1GHz optional◆UWB operating frequency
- ◆ Low standing wave coefficient ◆ High attenuation value accuracy
- ◆Strong anti-pulse ability

### 2. Description :

Model Number	Freq. Range	Attenuation Value/Tolerance					VSWR Max
		20dB	30dB	40dB	50dB	/	
HXDTS10000-XX-1	DC-0.5GHz	/	±1.0	±1.0	±1.0	/	1.25
	0.5-1GHz	Attenuation Curve Available					1.4
Average Power: 10000W							
Connector Type: 7/16, L36, L52(K)							
Impedance: 50 Ω							
Temperature Range: -40°C~+45°C							
★:XX:indicates the attenuation value							
★:The Nominal Attenuation Is 30dB, And Other Attenuations Are Composed OF 30dB + Low-power Attenuators.							
★:Peak power: 100KW (10us)   ★:Cooling Method:Oil-Cooled+Forced Draft   ★ : Operating Position:Horizontal only							

### 3. size:

Size:870*330*945mm	Weight:110Kg
--------------------	--------------



Unless otherwise specified, the dimensions and technical indicators correspond to the N-type connector

**Remind:**Outline Drawing: (Dimensions Unit: mm, Dimensions Tolerance: ± 5%)